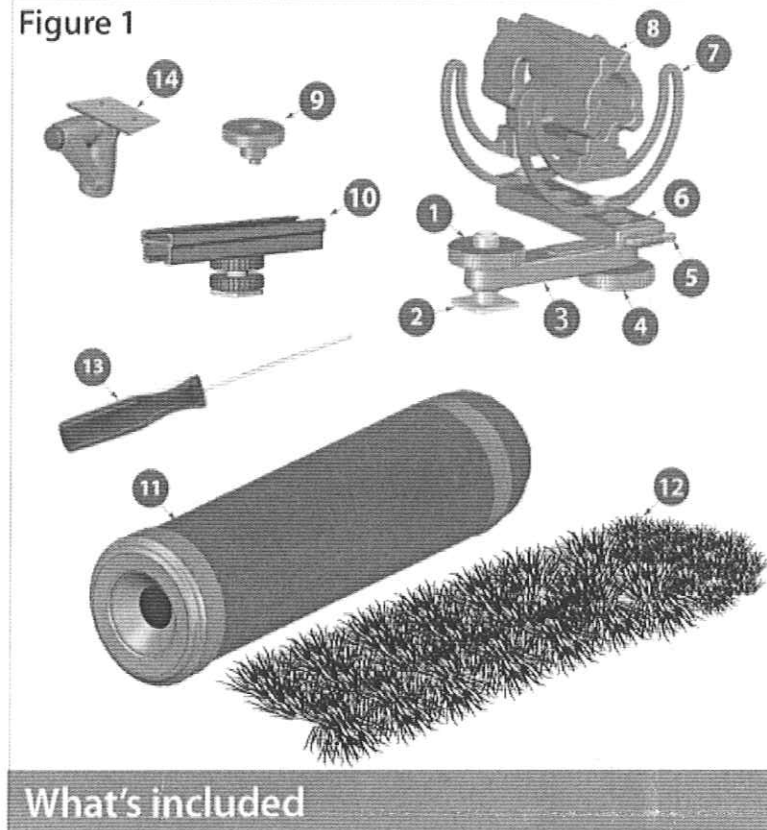


RYCOTE UNIVERSAL CAMERA KIT

LANGUAGE: ENGLISH

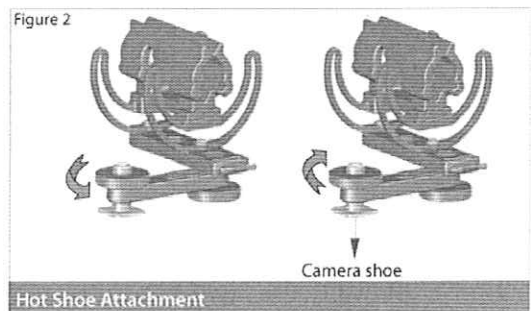


Parts List: (figure 1)

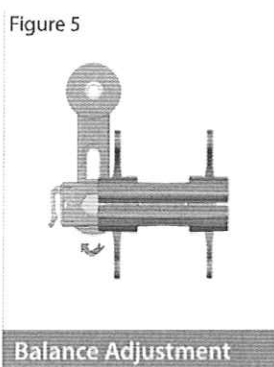
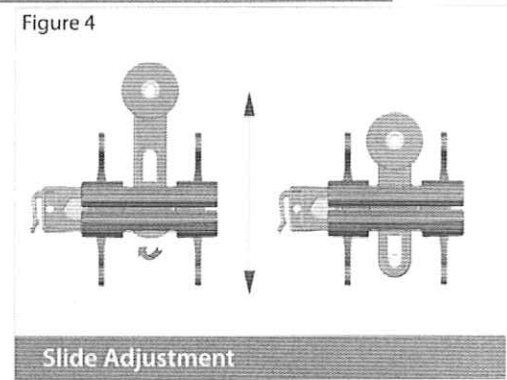
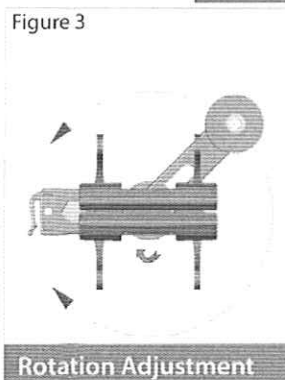
1. Thumb wheel (Female - 3/8" UNC)
2. Shoe foot & 3/8" Male thread
3. Extension Bar (100 mm)
4. Thumb wheel (Female - M6)
5. Cable clamp (part of Extension bar)
6. InVision Video™ Bar
7. Lyre suspension™
8. Microphone clip (19-25 mm)
9. 1/4" 20 Male to Female thread adaptor
10. Hot Shoe Extension™
11. Miniscreen Windshield™
12. Miniscreen Windjammer
13. Hex Head Key
14. 3/8" Boom Swivel

Fitting the InVision Video™ onto the camera Hot Shoe (figure 2)

Loosen the thumb wheel (Part 1) & slide the brass shoe foot (Part 2) into the camera hot shoe. When fully in place, tighten the thumb wheel securely.



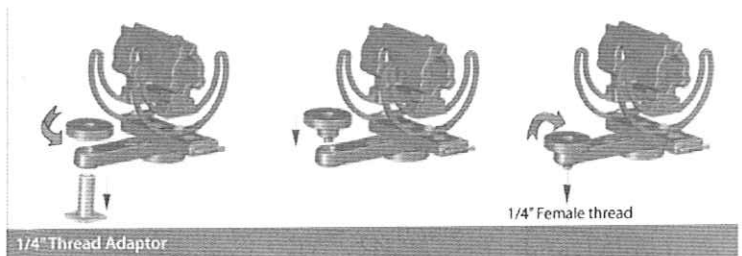
The InVision Video™ shock mount can then be positioned, by loosening the M6 thumb wheel (Part 4), and sliding or rotating the mount (**figure 3 & 4**).



The position of the M6 thumb wheel can also be adjusted by removing the thumb wheel, and moving the M6 bolt back along the extension bar (Part 3). There are two M6 location holes, with hexagonal profiles. (**figure 5**).

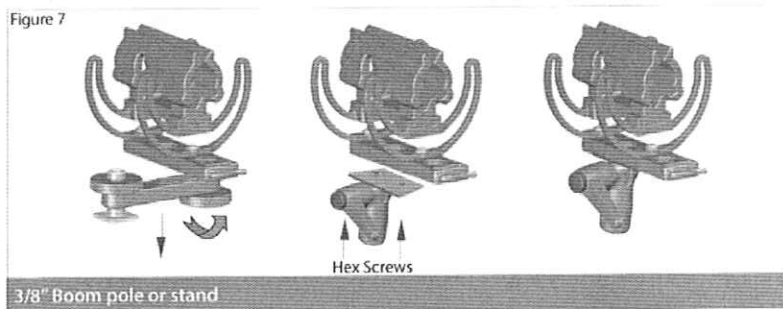
Fitting the InVision Video™ onto the camera (figure 6)

Loosen the thumb wheel (Part 1) & remove the brass shoe foot (Part 2). Fit the adaptor (Part 9) into the extension bar, using the rubber washer to hold it in place, and then screw onto the camera.



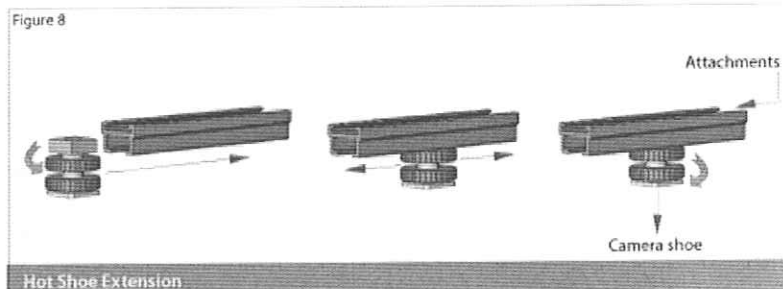
Fitting the InVision Video™ onto a boom pole or mic stand with 3/8" thread (figure 7)

Loosen and remove the thumb wheel (Part 4), bar (Part 3) and bolt. Fit the 3/8" Stand & Boom converter (Part 14) to the base of the bar (Part 6) using the hex head key (Part 13) to tighten the two screws.



Hot Shoe Extension™ (figure 8)

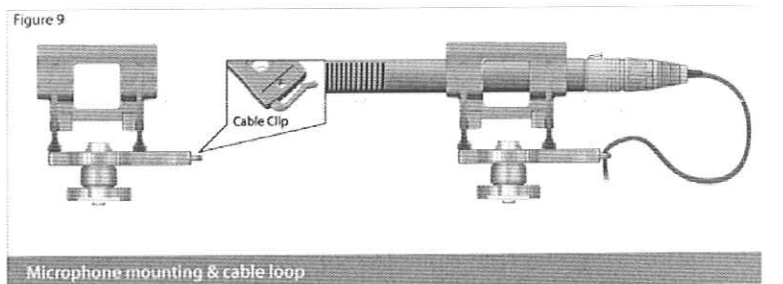
Remove the InVision Video shock mount from the camera hot shoe. Place the brass hot shoe foot of the hot shoe extension (Part 10) into the camera hot shoe; tighten the thumb wheel until the extension is secure. Slide the hot shoe of the attachment into the top of the hot shoe extension; tighten the thumb wheel until the attachment is secure.



Fitting the microphone & cable (figure 9)

The microphone should be fitted into the microphone clip (Part 8), at its balance point – with the XLR connector fitted, ensuring the microphone slots are not covered by the clip.

It is critical that the cable is “dressed” correctly, in an open loop (as shown) and secured with the cable clamp (Part 5). This will greatly improve the performance of the shock mount. The smaller & softer the cable the more this will help with the isolation of cable-borne noise. The Rycote 40cm ultra soft cable (Part number: 017018) is ideal for this purpose, available from your local Rycote stockist: website www.Rycote.com



Miniscreen Windshield & Miniscreen Windjammer

The **Miniscreen Windshield™** is a black, slip-on fabric/mesh windshield for breeze and panning noise protection. The **Miniscreen Windjammer** is for use in conjunction with the miniscreen. It is for use in stronger wind conditions to provide supplementary wind noise protection to that supplied by the miniscreen.

Fitting the Miniscreen Windshield & Windjammer (figure 10)

Figure 10a - Fit the Miniscreen Windshield (part 11) by sliding it onto the microphone, covering all of the capsule slots.

Figure 10b - The microphone with the fully fitted Miniscreen Windshield

Figure 10c - The Windjammer (Part 12) is fitted, simply by pulling it onto the front of the Miniscreen Windshield, until it is completely covered.

